

# A2

## COMPRESSION GLAND

### for Unarmoured Cable



#### Features and Benefits

- For indoor and outdoor use.
- Seals the cable sheath to IP66/67/68.
- Specially formulated elastomeric seals.
- Wide sealing range.
- Precision manufactured from high quality brass (nickel plated) also available in aluminium or stainless steel on request.
- Complete with high quality brass (nickel plated) locknuts and IP gasket.

#### Technical Data

Type:	A2
Gland Material:	Brass (Nickel Plated) BS 2874, EN 12164, Aluminium ASTM BS221, Stainless Steel 316
Seal Material:	Thermoset Elastomer or Silicon on request.
Cable Type:	Unarmoured
Sealing Area:	Outer Sheath
Optional Accessories:	Adaptor, Earth Tag, Locknut, Reducer, Serrated Washer and Shroud

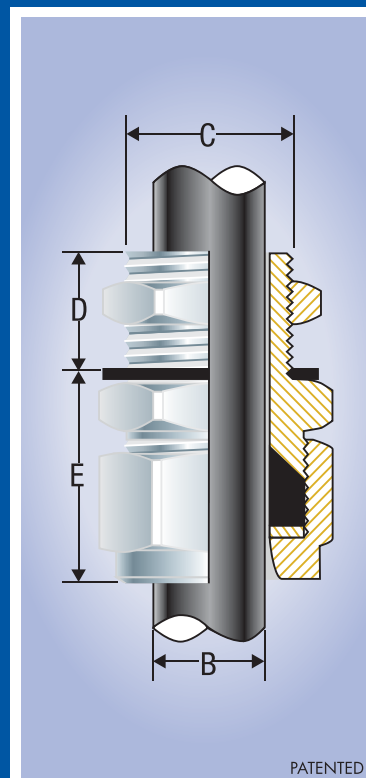
#### Standards and Certifications

Design Standards:	SABS 1213, BS 6121 Part 1, EN 50262, IEC 62444
Certification:	
Marine	09-SG435709A/1-PDA
SANS/SABS 1213	S787/D586
BS 6121 Part 1	SGS 1542/97153
IEC 62444	MASC 11-303
Mechanical Properties:	Impact Category 8 Anchorage Type B
Operating Temperature:	-20°C to 125°C
Ingress Protection IEC 60529:	IP66/67/68 (2m cont.) ~ MASC 11-263



#### Installation Standards

- AS/NZS 3000
- BS 6121-5
- BS 7671
- BS 7430
- IEC 60364-5-54
- SANS 0142



PATENTED

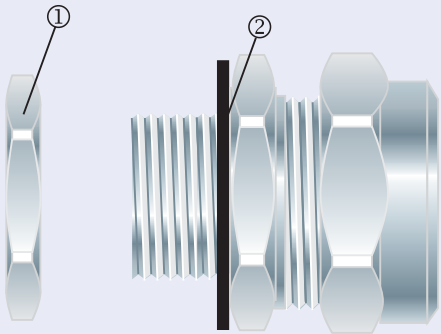
Product Code	Gland Size Reference	Metric Entry Thread		NPT Entry Thread		Cable Detail (Dia)		Maximum Length 'E'	Hexagonal Details (Max)		Installation Torque Nm
		'C'	Min 'D'	'C'	Min 'D'	Min 'B'	Max 'B'		'Flats'	'Crns'	
053500-16S	00-16s	M16x1.5	10	-	-	1.0	6.0	20.0	▲ 18	20	32.5
053500-16	00-16ss	M16x1.5	10	-	-	3.0	8.5	20.0	▲ 24	27	32.5
053500	00-20ss	M20x1.5	10	1/2/3/4	15	3.0	8.5	20.0	▲ 24	27	32.5
0535-0	0-20s	M20x1.5	10	1/2/3/4	15	7.0	11.5	20.0	▲ 24	27	32.5
053501	1-20	M20x1.5	10	1/2/3/4	15	11.0	15.0	24.0	▲ 27	31	32.5
053502	2-25	M25x1.5	10	3/4/1	15/19	15.0	20.0	25.0	▲ 32/35	39	47.5
053503	3-32	M32x1.5	10	1/1 1/4	19	20.0	26.5	30.0	▲ 40/42	47	55.0
053504	4-40	M40x1.5	15	1 1/4/1 1/2	19/21	26.0	34.0	30.0	▲ 52	59	65.0
053505	5-50	M50x1.5	15	1 1/2/2	21	34.0	38.0/44.5	42.0	▲ 65	73	82.5
053506	6-63	M63x1.5	15	2/2 1/2	21/30	44.0	50.0/56.5	48.0	▲ 80	90	97.5
053507	7-75	M75x1.5	15	2 1/2/3	30/32	56.0	62.0/67.5	50.0	▲ 96	108	115.0
053508	8-80	M80x2.0	20	3	32	65.0	74.0	55.0	▲ 96	108	120.0
053509	9-90	M90x2.0	20	3/3 1/2	32/33	73.0	75.0/81.5	60.0	▲ 111	125	120.0
053510	10-100	M100x2.0	20	3 1/2/4	33/34	81.0	91.0	74.0	◆ -	-	120.0
053511	11-110	M110x2.0	20	4	34	91.0	101.0	92.5	◆ -	-	175.0
053512	12-120	M120x2.0	20	-	-	101.0	109.0	92.5	◆ -	-	175.0
053513	13-130	M130x2.0	20	-	-	109.0	119.0	92.5	◆ -	-	175.0

All dimensions except NPT are in mm.

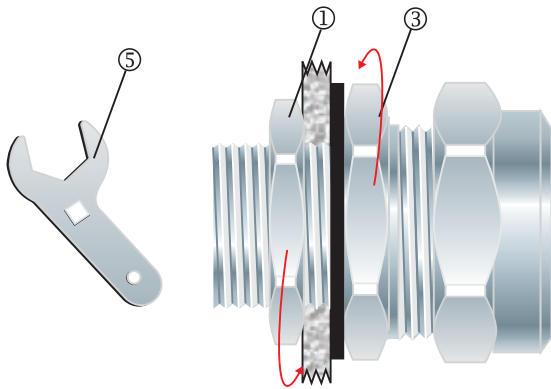
▲ For use with a CCG Hex Spanner.

◆ For use with a CCG C Spanner.

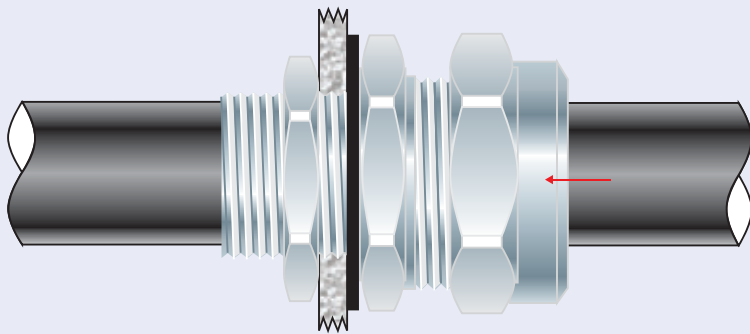
## A2 Compression Gland



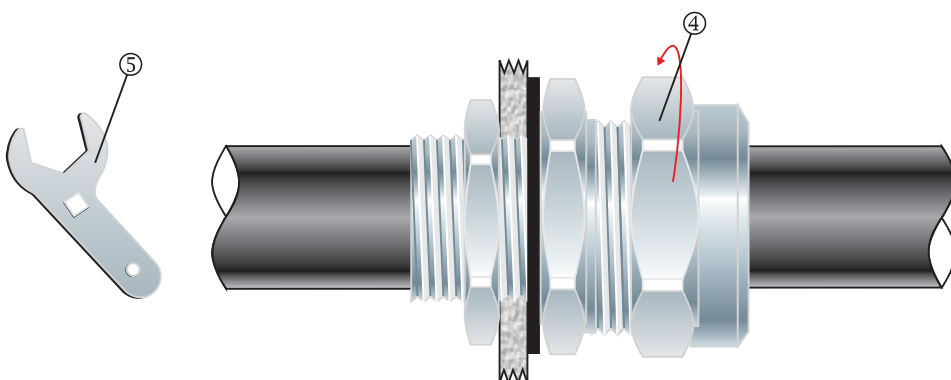
1. Remove the locknut ①. To maintain IP66/68 ensure the gasket ② is in place.



2. Screw the inner ③ into the apparatus and tighten the inner ③ to the installation torque using a CCG Spanner ⑤. Tighten the locknut ①.



3. Pass the cable end through the gland assembly.



4. Tighten the outer ④ to the installation torque using a CCG Spanner ⑤.