

A2 - LSOH

COMPRESSION GLAND

for Unarmoured Fire Rated Cable



Features and Benefits

- For indoor and outdoor use.
- Seals the cable sheath to IP 66/67/68.
- Silicon seals are fire retardant, low smoke zero halogen.
- Precision manufactured from high quality brass (nickel plated) also available in aluminium or stainless steel on request.
- Complete with high quality brass (nickel plated) locknuts and IP gasket.

Technical Data

Type:	A2 - LSOH
Gland Material:	Brass (Nickel Plated) BS 2874, EN 12164, Aluminium ASTM BS221 or Stainless Steel 316
Seal Material:	LSOH Silicon to IEC 60754-1; IEC 60754-2
Cable Type:	Unarmoured Fire Rated
Sealing Area:	Outer Sheath
Optional Accessories:	Adaptor, Earth Tag, Locknut, Reducer, Serrated Washer and Shroud

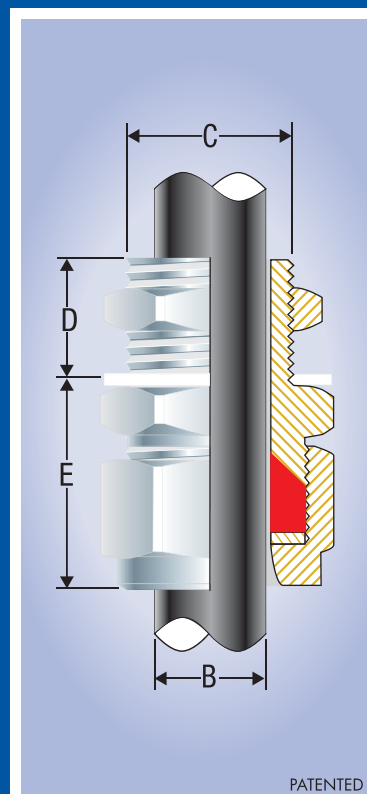
Standards and Certifications

Design Standards:	SABS 1213, BS 6121 Part 1, EN 50262, IEC 62444
Certification:	
Marine	09-SG435709A/1-PDA
SANS/SABS 1213	S787/D586
BS 6121 Part 1	SGS 1542/97153
IEC 62444	MASC 11-303
Mechanical Properties:	Impact Category 8
	Anchorage Type B
Operating Temperature:	-65°C to 175°C
Ingress Protection IEC 60529:	IP66/67/68 (2m cont.) ~ MASC 11-263



Installation Standards

- AS/NZS 3000
- BS 6121-5
- BS 7671
- BS 7430
- IEC 60364-5-54
- SANS 0142



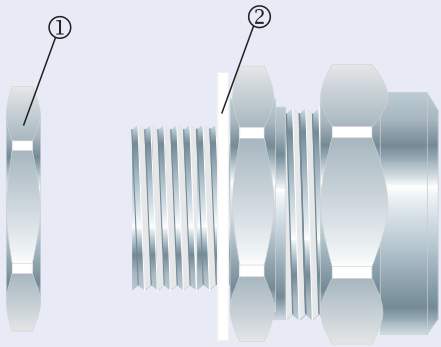
Product Code	Gland Size Reference	Metric Entry Thread		NPT Entry Thread		Cable Detail		Maximum Length 'E'	Hexagonal Detail		Installation Torque Nm
		'C'	Min 'D'	'C'	Min 'D'	Min 'B'	Max 'B'		Max 'Flats'	Max 'Crns'	
055200-16	00-16	M16x1.5	10	-	-	3.0	8.5	20.0	▲ 24.0	27.0	32.5
055200	00-20ss	M20x1.5	10	1/2/3/4	15	3.0	8.5	20.0	▲ 24.0	27.0	32.5
0552-0	0-20s	M20x1.5	10	1/2/3/4	15	7.0	11.5	20.0	▲ 24.0	27.0	32.5
055201	1-20	M20x1.5	10	1/2/3/4	15	11.0	15.0	24.0	▲ 27.0	31.0	32.0
055202	2-25	M25x1.5	10	3/4/1	15/19	15.0	20.0	25.0	▲ 32/35	39.0	47.5
055203	3-32	M32x1.5	10	1/1 1/4	19	20.0	26.5	30.0	▲ 40/42	47.0	55.0
055204	4-40	M40x1.5	15	1 1/4/1 1/2	19/21	26.0	34.0	30.0	▲ 52.0	59.0	65.0
055205	5-50	M50x1.5	15	1 1/2/2	21	34.0	38.0/44.5	42.0	▲ 65.0	73.0	82.5
055206	6-63	M63x1.5	15	2/2 1/2	21/30	44.0	50.0/56.5	48.0	▲ 80.0	90.0	97.5
055207	7-75	M75x1.5	15	2 1/2/3	30/32	56.0	62.0/67.5	50.0	▲ 96.0	108.0	115.0
055208	8-80	M80x2.0	20	3	32	65.0	74.0	55.0	▲ 96.0	108.0	120.0
055209	9-90	M90x2.0	20	3/3 1/2	32/33	73.0	75.0/81.5	60.0	▲ 111.0	125.0	120.0
055210	10-100	M100x2.0	20	3 1/2/4	33/34	81.0	91.0	74.0	◆ -	-	120.0
055211	11-110	M110x2.0	20	4	34	91.0	101.0	92.5	◆ -	-	175.0
055212	12-120	M120x2.0	20	-	-	101.0	109.0	92.5	◆ -	-	175.0
055213	13-130	M130x2.0	20	-	-	109.0	119.0	92.5	◆ -	-	175.0

All dimensions except NPT are in mm.

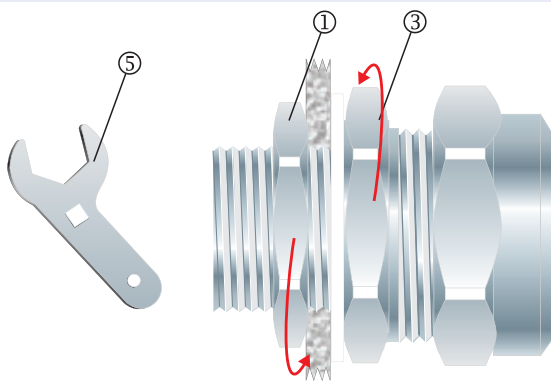
▲ For use with CCG Hex Spanner

◆ For use with CCG C Spanner

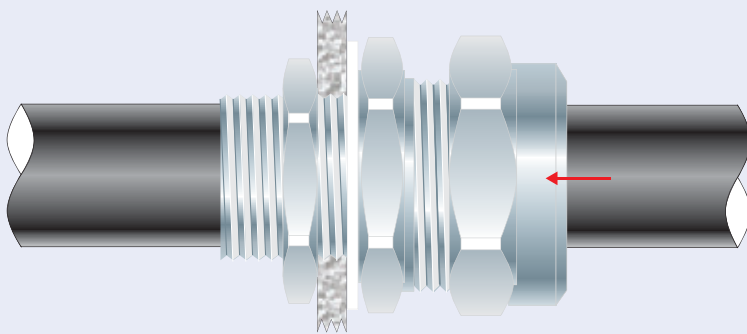
A2 - LSOH Compression Gland



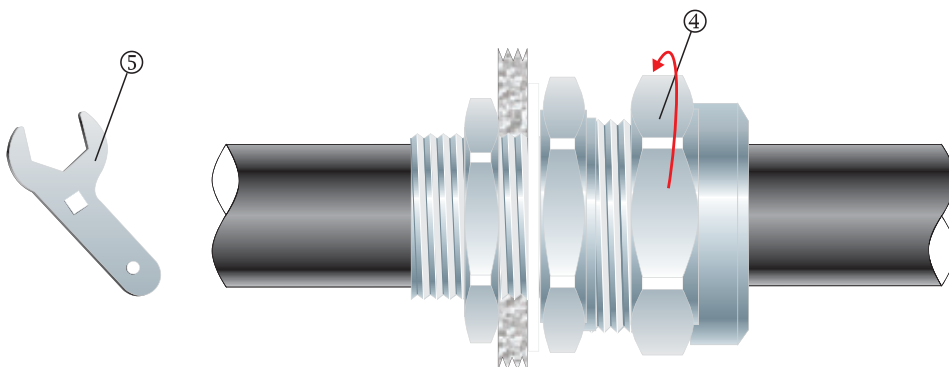
1. Remove locknut ①. To maintain IP66/68 ensure the gasket ② is in place.



2. Screw the inner ③ into the apparatus and tighten the inner ③ to the installation torque using a CCG Spanner ⑤. Tighten locknut ①.



3. Pass the cable end through the gland assembly.



4. Tighten the outer ④ to the installation torque using a CCG Spanner ⑤.