

# BW

## CAPTIVE CONE GLAND™

### for SWA and Aluminium Armoured Cable



#### Features and Benefits

- For indoor use.
- Two part handling, no loose parts.
- Freely rotating captive cone, providing an armour clamp and earth bond without twisting the armouring.
- Precision manufactured from high quality brass (nickel plated) and available in aluminium on request.
- Complete with high quality brass locknuts.

#### Technical Data

Type:	BW
Gland Material:	Brass (Nickel Plated) BS 2874, EN 12164, Aluminium ASTM B221
Cable Type:	Steel Wire Armour / Aluminium Armour Wire
Armour Clamping:	Captive Rotating Cone
Optional Accessories:	Adaptor, Earth Tag, Locknut, Reducer, Serrated Washer and Shroud

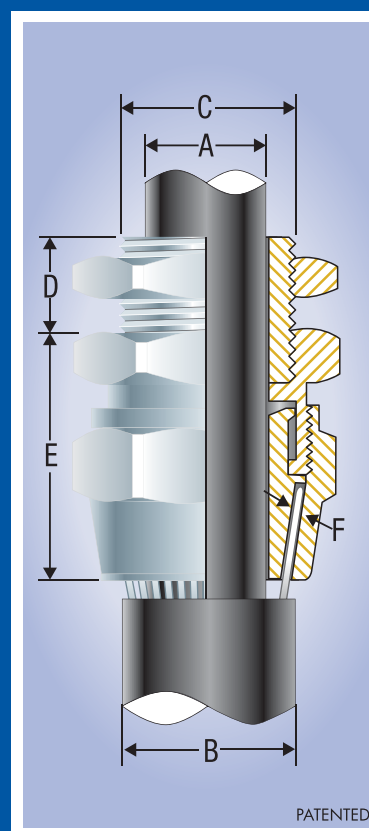
#### Standards and Certifications

Design Standards:	SANS 1213, BS 6121 Part 1, EN 50262, IEC 62444
Certification:	
SANS/SABS 1213	787/85772/K756
BS6121Part 1	SGS 3641/99367
IEC 62444	MASC 11-303
Mechanical Properties:	Impact Category 8 Anchorage Type D
Electrical Properties:	Category A (no earth tag) Category B (with earth tag)
Operating Temperature:	-20°C to 125°C
Ingress Protection:	IP2X (without a shroud)



#### Installation Standards

- AS/NZS 3000
- BS 6121-5
- BS 7671
- BS 7430
- IEC 60364-5-54
- SANS 0142



PATENTED

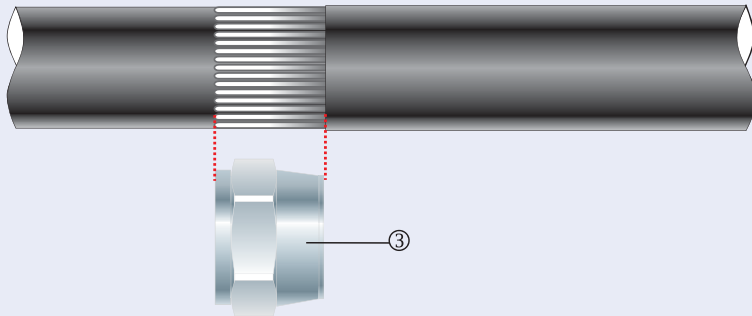
Product Code	Gland Size Reference	Metric Entry Thread		Cable Detail			Maximum Length 'E'	Armour Dia.		Hexagonal Detail		Installation Torque Nm
		'C'	Min 'D'	Max 'A'	Min 'B'	Max 'B'		Min 'F'	Max 'F'	Max 'Flats'	Max 'Crns'	
0503-0	0-20s	M20x1.5	10	12.0	11.5	16.0	23.0	0.90	1.25	▲ 22	25.0	35.0
050301	1-20	M20x1.5	10	15.0	14.5	20.5	26.0	0.90	1.25	▲ 25/27	30.0	35.0
050302	2-25	M25x1.5	10	20.0	20.5	26.5	29.0	1.25	1.60	▲ 32/35	39.0	50.0
050303	3-32	M32x1.5	10	26.5	26.5	33.5	32.0	1.60	2.00	▲ 40/42	47.0	70.0
050304	4-40	M40x1.5	15	34.0	33.0	42.5	36.0	1.60	2.00	▲ 52	59.0	90.0
050305	5-50	M50x1.5	15	44.5	42.5	52.5	45.0	2.00	2.50	▲ 65	73.0	100.0
050306	6-63	M63x1.5	15	56.5	52.5	65.5	50.0	2.00	2.50	▲ 80	90.0	120.0
050307	7-75	M75x1.5	15	67.5	65.5	78.0	60.0	2.50	3.15	▲ 96	108.0	120.0
050308	8-80	M80x2.0	20	74.0	78.0	82.0	65.0	2.50	3.15	▲ 96	108.0	120.0
050309	9-90	M90x2.0	20	81.5	82.0	91.0	69.0	3.00	3.50	▲ 111	125.0	120.0
050310	10-100	M100x2.0	20	91.0	90.0	100.0	88.0	3.00	3.50	◆ -	-	120.0
050311	11-110	M110x2.0	20	98.0	100.0	114.0	88.0	3.00	4.00	◆ -	-	120.0
050312	12-120	M120x2.0	20	103.0	103.0	118.0	100.0	3.00	4.00	◆ -	-	120.0
050313	13-130	M130x2.0	20	115.0	113.0	124.0	100.0	3.00	4.00	◆ -	-	120.0

All dimensions are in mm.

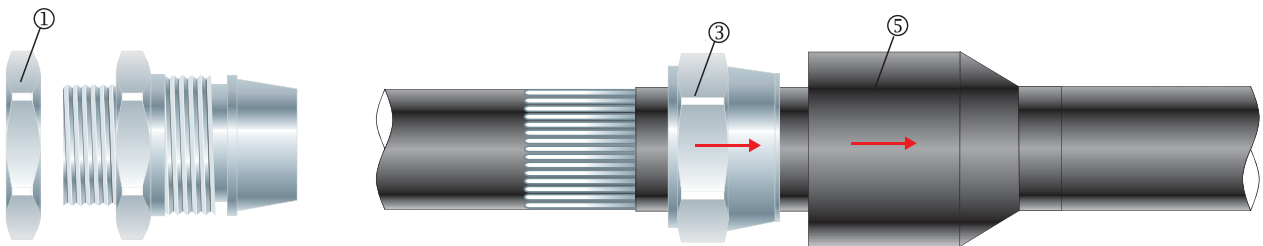
▲ For use with a CCG Hex Spanner.

◆ For use with a CCG C Spanner.

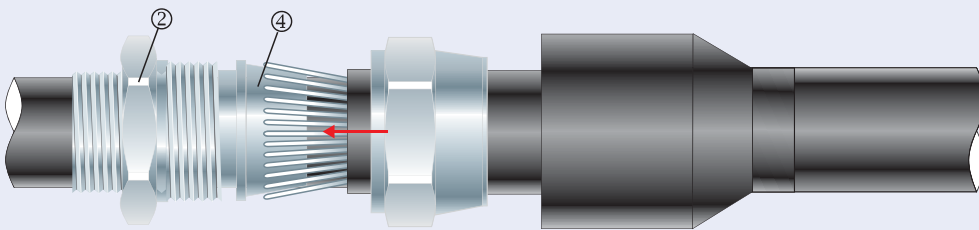
## BW Captive Cone Gland™



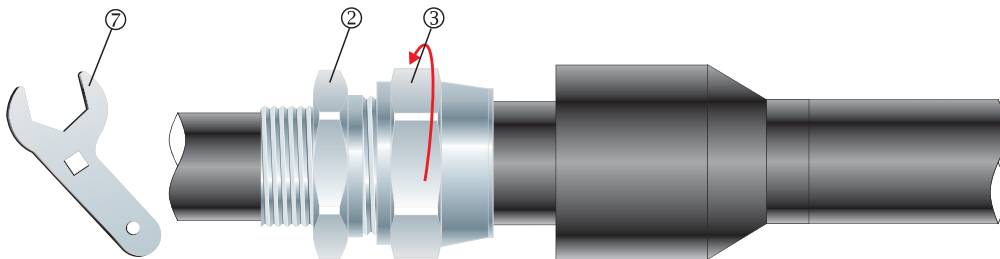
1. Cut back the cable outer sheath to expose the armour to a length not more than the outer ③.



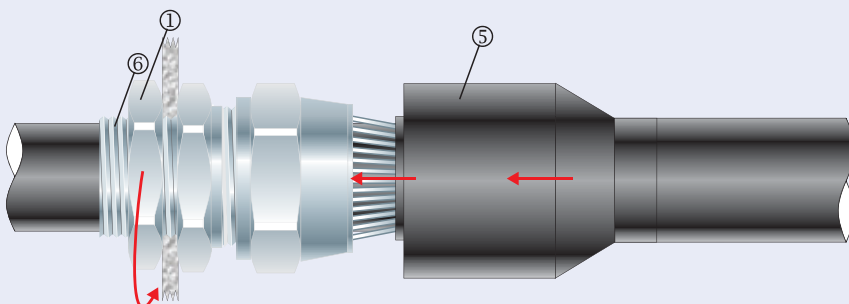
2. Remove the locknut ①. Strip the cable outer sheath and slide the shroud ⑤ and the inner ② over the cable.



3. Pass the cable end through the inner ② and splay the armour wires over the cone ④.



4. Tighten the outer ③ onto the inner ② to the installation torque using a CCG Spanner ⑦.



5. Insert the gland bush ⑥ into the cable entry of the apparatus and tighten the locknut ①. Slide shroud ⑤ over the gland.